

IMPORTANT EVERGRAIN® PRODUCT INFORMATION

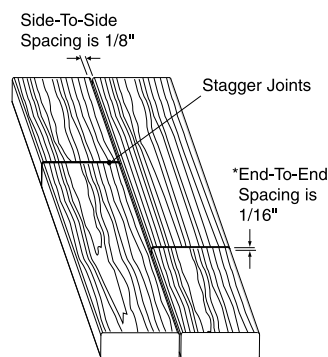
- Vibrance Colors are specially made with natural board to board color variation. **Layout and view all boards prior to cutting and fastening to ensure the desired look is achieved.**
- Make safety of the workplace the prime consideration. Always wear the proper protective clothing and safety equipment and adhere to all safety guidelines contained herein.
- As with all walking surfaces, deck boards located in higher traffic areas may show wear earlier than other areas. Dragging furniture or other objects across the product will cause surface scratches.
- Like wood, color variation of EverGrain® deck boards will occur. For optimal appearance, layout and view all boards before cutting or fastening, placing all tagged ends in the same direction.
- Discuss any desired material changes, including color matching, with the supplier prior to cutting or fastening the decking to the structure.
- The weathering process for EverGrain decking products will vary due to region, climate, rain, sunlight exposure, etc. Some variations in decking shade will appear due to weathering that will occur at the supplier's yard prior to shipment and due to different lots. For best results, use material from the same date code, (stamped on the end or edges of boards) whenever possible.
- The color of EverGrain deck boards will usually weather to a lighter shade after several months of exposure to the environment. Color selection may vary across profiles.
- Composite decking has a more flexible feel than wood primarily during the heat of summer. This is a natural condition that will not affect the ability of the decking to perform as warranted. For a more rigid feel, reduce joist span spacing by 4".
- EverGrain decking and railing must be installed in accordance with the installation instructions. Deviations from these instructions may result in unsatisfactory performance, create a potential safety hazard and may exclude coverage of your decking and/or railing material under the limited warranty.
- EverGrain deck boards must never be applied directly to any solid surface (concrete, membranes, etc.) or in conjunction with systems where inadequate drainage or improper ventilation are found. There must be proper ventilation and adequate air circulation underneath the deck to promote the evaporation of any water or moisture.

CUTTING & DRILLING

When working with EverGrain decking, saw blades and router bits with carbide tips are recommended. For best results, use blades with two teeth per inch. To avoid clogging when drilling holes, frequently remove shavings by raising the drill bit out of the hole.

SPACING

EverGrain decking and skirting will expand and contract with changes in temperature. The amount of expansion and contraction will vary depending upon board size and temperature. Smaller boards will expand less and larger board sizes will expand more. When installing decking, side-to-side spacing must be a minimum of 1/8" between adjacent boards.



* End-to-end spacing between boards must be approximately 1/16" for every 20-degree increment of temperature difference between the temperature during installation and the maximum expected summertime temperature in your area. *Butt joints of boards must be staggered. A sister joist may be utilized at the butt joint to provide a greater fastening area.

+ EXAMPLE: 80°F at time of installation and a maximum expected summertime temperature of 100°F equals an end-to-end spacing of 1/16".

FASTENING

EverGrain decking can be fastened by screws or one of many hidden fastening systems available. **Consult your building professional to ensure selection of fasteners is compatible with your joist and substructure material.** The fastening decision is solely the responsibility of the contractor, installer or homeowner. TAMKO does not recommend or endorse any specific fastening system.

Like wood, pre-drilling the end/edges of the boards is required to avoid splitting or cracking. Pre-drilling is also required in cold weather. When installing in cold temperatures, a greater force is required to drive fasteners into the decking material. When pre-drilling, we recommend that the drill bit diameter be the same diameter as the fastener shank. Fasteners must be spaced at a minimum of 3/4" from the end of the board and 1" from the edge of the board. Skirting must be fastened with 3 fasteners every 8" on a solid surface.

Decking must be fastened at every joist. Two fasteners are required at the end of the board. Make sure joists are level.

- **WOOD/COMPOSITE SCREWS** Nominal 1" thick boards require a #8 - 2 1/2" or longer screw for fastening. Nominal 2" thick boards require a #8 - 3" or longer screw for fastening.
- **STRING LINE** The use of a string line to align fasteners/boards is recommended to enhance the appearance of your finished deck. **(Do not use a chalk line).**
- **FINISHING TOUCH** Deck material will swell over fastener heads. Gently hammer the material down to cover the fastener head. Pre-drill fastener holes and/or use a counter sink bit to minimize this from occurring.

LUMBER SIZES & DIMENSIONS

| Nominal Size | Actual Size |
|---|------------------|
| 1" x 6" x (12', 16' or 20') | 15/16" x 5-1/2" |
| 2" x 4" x (12') Extruded | 1-7/16" x 3-1/2" |
| 2" x 6" x (16' or 20') | 1-7/16" x 5-1/2" |
| Skirting (12') | 1/2" x 11-7/8" |
| 2" x 2" x (12') | 1-1/2" x 1-1/2" |
| 4" x 4" x (116") Post Sleeve* | 4-3/8" x 4-3/8" |
| Post Cap & Ring | Fits Post Sleeve |
| 6' Designer Rail & Stair Rail Kits | |
| Baluster Kit (Pre-sized for 36" or 42" railing heights) | |
| Post Sleeve Kits** (38", 48" or 116" post sleeve) | |

All Tolerances +/- 1/16"

Note: Vibrance Collection® is available in 1" x 6" x (16' or 20') and skirting only.
*Post Sleeve is a non-structural, ornamental accessory. Wood post is not included.

DECKING SPAN CHART

Maximum recommended center-to-center spans with a minimum of three joists are shown below. EverGrain deck boards must not be applied to a solid surface.

Center-To-Center Span

| Board Size | Residential Decks & Light Duty Decks | Commercial Decks Boardwalks & Marinas | Residential Playground Equipment |
|------------|--------------------------------------|---------------------------------------|----------------------------------|
| 1" x 6" | 16" | 12" | 16" or less |
| 2" x 6" | 24" | 20" | 20" or less |

Composite decking has a more flexible feel than wood primarily during the heat of summer. This is a natural condition that will not affect the ability of the decking to perform as warranted. For a more rigid feel, reduce joist span spacing by 4". Decking cannot be cantilevered (overhang edge of deck) because structural support is required. EverGrain decking is a non-structural construction product. The decking products must not be used as a structural member; including joists, load bearing columns, stringers, or beams.

For best results, add an additional joist at the butt joints to increase stiffness.

CLEANING

Semi-annual cleaning of your deck is recommended.

FOR DETAILED CLEANING INFORMATION:

Please visit the care and cleaning section on our website at evergrain.com.

After cleaning, flush the surface of decking using a garden hose or a power washer hose with a fan-tip nozzle at a pressure not exceeding 1,000 psi to remove any excess cleaning agents.

IMPORTANT NOTE: Sanding the surface to remove stains must not be done.

HANDLING

EverGrain decking is heavier and more flexible than traditional wood products. Use care and do not attempt to lift or carry more decking than you can safely handle at one time. Proper clothing and safety glasses must be worn at all times when working with decking.

Store material on a rigid, smooth, flat surface. The unused material should be kept covered and supported every 24". If boards become bent, most can be bent back to their original shape during application.

Determination of the effectiveness, suitability, and safety of any application or use of EverGrain decking is solely the responsibility of the homeowner, contractor, or installer. Building code regulations vary, and the homeowner, contractor or installer must consult local building and safety codes for specific requirements prior to the application of EverGrain decking.

LIMITED WARRANTY

TAMKO Building Products, Inc. provides a 20-year limited warranty for EverGrain Products installed in accordance with these written instructions. For a copy of the limited warranty see your EverGrain Dealer or visit evergrain.com. **Returns of or claims for decking product due to any condition that was clearly apparent prior to application/fastening of product, will not be considered after decking has been applied/fastened to deck structure, joist, etc.**

BUILDING CODE APPROVED

ICC Approved (ESR-1625) Refer to code reports on evergrain.com for product details.

TAMKO Building Products, Inc.
P.O. Box 1404
Joplin, Missouri 64802

- Technical Services: 800-641-4691
- Warranty Services: 800-441-7190
- Customer Service: 800-253-1401

evergrain.com

These application instructions were current at the time of printing. To obtain a copy of the most current version of the application instructions, visit us online at evergrain.com or call us at 800-641-4691.

• DESIGNER RAILING

1. Wood posts must be spaced at a maximum of 72" on center. Do not notch post.

2. Drill pilot holes* for all components of railing system before fastening with screws. It is recommended to countersink before fastening with screws.

3. For best appearance cover your 4x4 wood posts with EverGrain post sleeves (See post sleeve details). Slide the post ring over the post sleeve.

*To avoid clogging when drilling holes, frequently remove shavings by raising the drill bit out of the hole

4. Measure the height for the top universal rail and brackets. Connect the EverGrain brackets to the post with 2 #10 x 2-1/2" screws.

5. Slide the balusters into the top universal rail and fasten each with 1 #8 x 3" screw.

6. Slide the top hand rail over the top universal rail.

7. Measure the height for the bottom universal rail and brackets. Fasten the EverGrain brackets between the two legs of the underneath side of the bottom universal rail with 3 #10 x 1" screws.

8. Locate the baluster in the middle of the bottom universal rail by utilizing the universal rail's single leg. Fasten each baluster to the bottom of the universal rail with 1 #8 x 3" screw.

9. Raise the rail and place it between the posts by setting it on the crush blocks and the two top EverGrain brackets. Anchor the assembled top rail to the EverGrain brackets using 3 #10 x 1" screws, and then anchor the bottom EverGrain brackets to the post with 2 #10 x 2-1/2" screws.

10. Attach the post cap using adhesive.

Consult your building professional to ensure selection of fasteners is compatible with your joist and substructure material.

• COVERED CORNER POST

1. Measure wood posts and cut EverGrain skirting to cover all four sides as shown in the diagram.

2. Using screws, attach skirting to post. Screws must be a minimum of #8 x 1-1/2" and be fastened using 2 screws every 8".

Consult your building professional to ensure selection of fasteners is compatible with your joist and substructure material.

• POST SLEEVE

1. Slide the post sleeve over the secured wood post and level.

2. Post sleeve should fit squarely on the deck surface.

• 2X4 TRADITIONAL RAILING

1. Wood posts must be spaced at a maximum of 72" on center. Do not notch posts.

3. Drill pilot holes* for all components of railing system before fastening with screws. It is recommended to countersink before fastening with screws. Screws to be a minimum of 1" from end of the boards.

3. For best appearance, cover your 4x4 wood posts with EverGrain post sleeves (See post sleeve details). Slide the post ring over the post sleeve.

4. Pre-drill and countersink 2x4's prior to attaching to the balusters.

5. Attach the first baluster to the post using 4 #8 x 3-1/2" screws. Secure the rail cap to the second baluster and leave out the top screw attaching the second baluster to the side rail.

6. Use #8 x 2-1/2" screws to attach balusters to 2x4's.

7. Attach the post cap using adhesive.

Consult your building professional to ensure selection of fasteners is compatible with your joist and substructure material.

*To avoid clogging when drilling holes, frequently remove shavings by raising the drill bit out of the hole.

• TRADITIONAL RAILING

1. Wood posts must be spaced at a maximum of 72" on center. Do not notch posts.

2. Drill pilot holes* for all components of railing system before fastening with screws. It is recommended to countersink before fastening with screws. Screws to be a minimum of 1" from end of the boards.

3. For best appearance, wrap wood posts with EverGrain skirting (See covered corner post details).

4. Use #8 x 2-1/2" screws to attach balusters to 2x4's and 2x6's. Use #8 x 3-1/2" screws to attach 2x4's and 2x6's to post.

For more railing Designs/Instructions, visit our web site at evergrain.com.

Consult your building professional to ensure selection of fasteners is compatible with your joist and substructure material.

*To avoid clogging when drilling holes, frequently remove shavings by raising the drill bit out of the hole.